



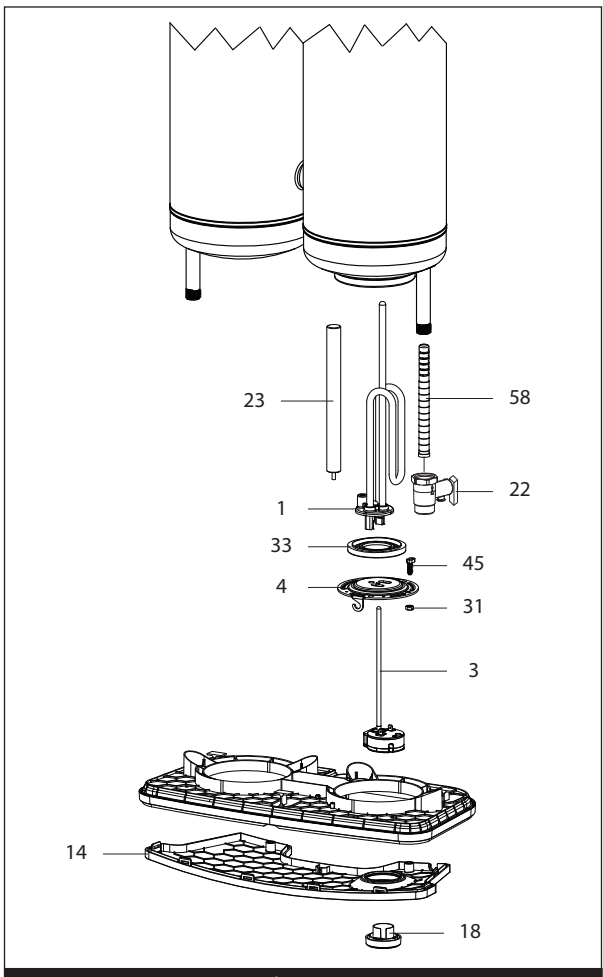
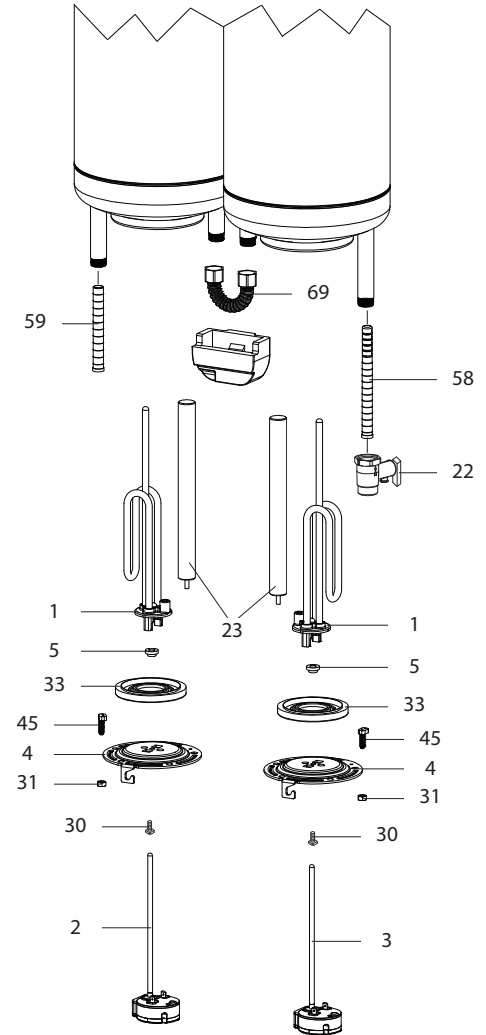
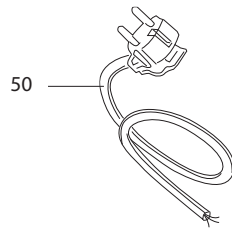
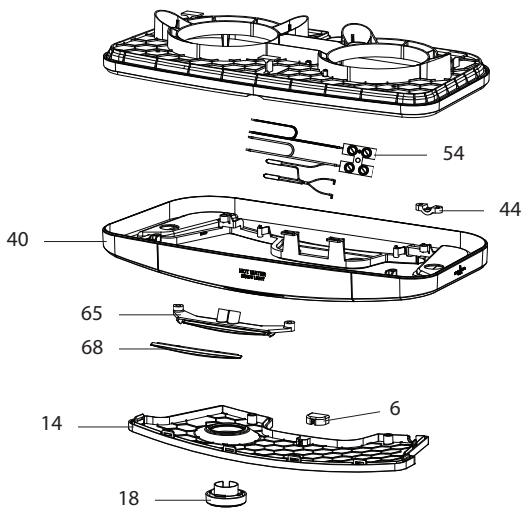
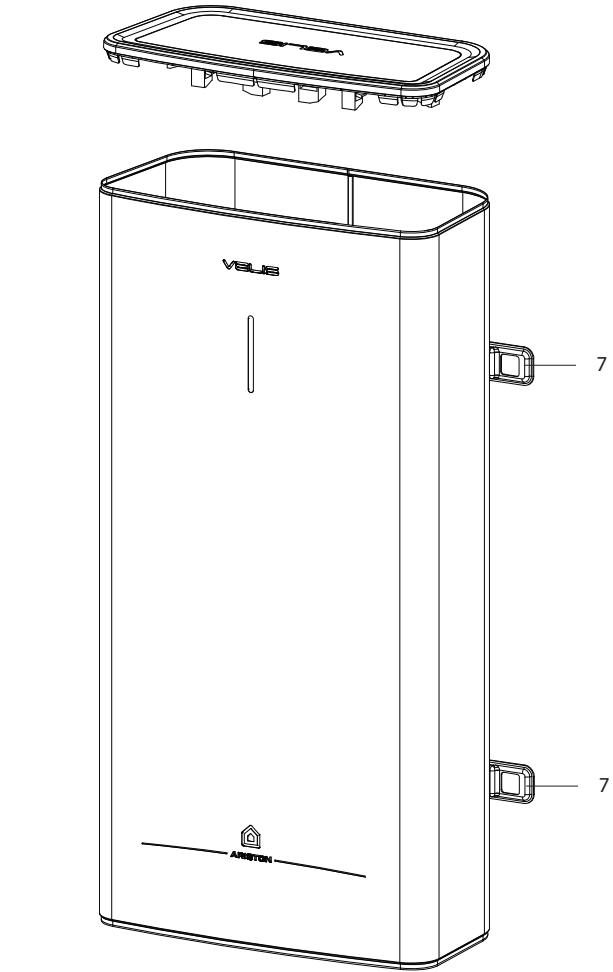
SPARE PARTS EXPLODED VIEW
STORAGE ELECTRIC WATER HEATERS
Model
ABS VLS PRO INOX R

R8218952-03 - 11/10/2023

ABS VLS PRO INOX R

Storage Electric Water Heaters

1	3700685	ABS VLS PRO INOX R 30	04-2021	12-2022
2	3700686	ABS VLS PRO INOX R 50	04-2021	-
3	3700687	ABS VLS PRO INOX R 80	04-2021	-
4	3700688	ABS VLS PRO INOX R 100	04-2021	-
Col	Reference	Model type	Begin	End



ABS VLS INOX R 30
 ABS VLS INOX R 50
 ABS VLS INOX R 80
 ABS VLS INOX R 100

31

☉⇒	Description	Manf. Pt. N	Type																			From	to
				1	2	3	4	5	6	7	8	9	10	11	12	13	14	15	16	17	18		
0001	HEATING ELEMENT 1000W 220-240V	65120782		•	•	•	•													11/23	10/23		
	HEATING ELEMENT 2000W 220-240V	65115421																		11/23			
	HEATING ELEMENT 2000W 220-240V	65111913		•	•															11/23			
0002	THERMOSTAT	65117771		•	•	•	•														05/21		
	THERMOSTAT	65122225				•	•	•												06/21	10/23		
	THERMOSTAT	65122225		•																06/21			
0003	THERMOSTAT	65117771					•	•													10/23		
	THERMOSTAT	65117771		•	•																		
	THERMOSTAT	65122237					•	•												11/23			
0004	FLANGE (5 HOLES)	65180108		•	•	•	•													11/23			
	FLANGE (5 HOLES)	65180159		•	•	•	•														10/23		
0005	WASHER	65180158		•	•	•	•														10/23		
0006	WATER DRAIN STOPPER	65180442		•	•	•	•																
0007	SUPPORT BRACKET	65152905		•	•	•	•														10/23		
	SUPPORT BRACKET	65180461		•	•	•	•													11/23			
0014	PLASTIC COVER	65180454		•	•	•	•														10/23		
	PLASTIC COVER	65180463		•	•	•	•													11/23			
0018	KNOB (REGULATION)	65180455		•	•	•	•														10/23		
	KNOB (REGULATION)	65180464		•	•	•	•													11/23			
0022	SAFETY VALVE WITH LEVER (1/2" 6 BAR)	65151712		•	•	•	•																
0023	ALUMINIUM ANODE D:18 L:210 M5	65180460		•	•															11/23			
	ALUMINIUM ANODE D:18 L:250 M5	65180466				•	•													11/23			
	ANODE D:21,3 L:180 M5	65180015		•	•	•	•														10/23		
0030	SCREW M6X12	993000		•	•	•	•																
0031	NUT M6	994140		•	•	•	•																
0033	FLANGE GASKET	65111788		•	•	•	•																
0040	BOTTOM BIG PLASTIC COVER	65180452		•	•	•	•																
0044	CABLE CLAMP	573266		•	•	•	•																
0045	SCREW M6X20	65151225		•	•	•	•																
0050	POWER CABLE WITH ELCB (16A 1,0m)	65150965		•	•	•	•																
0054	WIRING	65120783		•	•	•	•														10/23		
	WIRING	65180465		•	•	•	•													11/23			
0058	BAFFLE (1/2" H=159)	65152176		•	•	•	•																
0059	BAFFLE (1/2" H=100)	65152177		•	•	•	•														10/23		
0065	LIGHT CONVEYOR	65180453		•	•	•	•																
0068	LED INDICATOR	65180449		•	•	•	•																
0069	BY-PASS CONNECTION	65154293		•	•	•	•																

ABS VLS PRO INOX R

Storage Electric Water Heaters

